



# MITSUBISHI ELECTRIC

## MULTIMEDIA DATA/VIDEO PROJECTORS


*Changes for the Better*

Our New Standard... Their New Benchmark...  
Engineered for Richer Colors and Long-life Performance.

Long Life lamp  
4000 hrs



**NEW**


**Mobile XGA projector**  
**XD510U**

### Functional Performance at its best

- ▶ 2600 ANSI Lumens of outstanding brightness
- ▶ 2000:1 Rich contrast ratio
- ▶ Super low noise operation at 30dBA
- ▶ Center lens design for symmetrical installation
- ▶ Splash screen and wall screen support
- ▶ Discreet audio and video inputs for computers and video sources

### A Better Investment with a Lower Cost of Ownership

- ▶ Long-life lamp of 4,000hours
- ▶ Top-access lamp cover for easy replacements
- ▶ Filter-free design
- ▶ Enhance security features with reinforced anchor bars and password protection
- ▶ Time-saving instant shut down feature



Top Access Lamp Cover



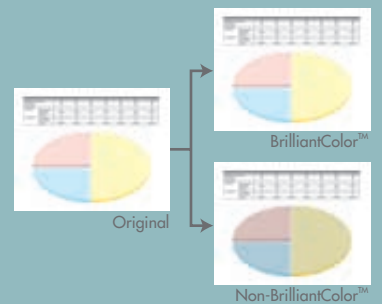
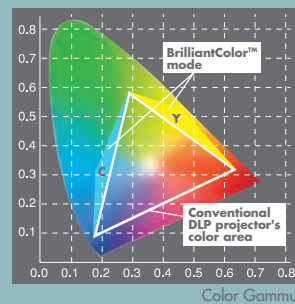
Splash screen

### BrilliantColor™ Technology and Mitsubishi's Engineering Performance Yields Superior Color Performance

BrilliantColor™ Technology is that latest innovation for richer colors and better images that displays vibrantly. At Mitsubishi, we developed a 6-segment color wheel that is RGBWYC, apart from the regular red, green, blue and white, we added the yellow and cyan segments to display a wider color spectrum. In addition, we also coded our color algorithms to offer emphasis on brightness or color modes, all designed to cater to the environment where the XD510U will be used for.

Together with selective lamp powered modulation techniques, the XD510U with BrilliantColor™ Technology acts intelligently to boost colors that are prone to show darker or less saturated, improving the intensity and vibrancy of the entire displayed images. For instance, where there is a need to project vivid images in an already bright screen image, the lamp is programmed to provide brighter colors where it is necessary to make the displayed image more vibrant. In contrast, when the objective of the display is to deliver an image with emphasis on genuine color reproduction, the algorithm will deliver just the right colors with the appropriate radiance.

\*BrilliantColor is a trademark of Texas Instruments.





## Mobile XGA projector

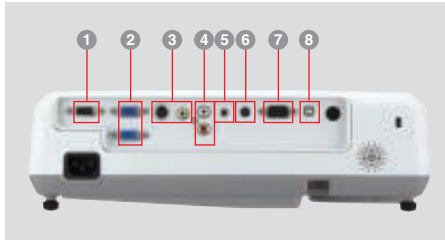
# XD510U

### Specifications

Model	XD510U
Display technology	0.55"1-Chip DMD
Resolution	1024 x 768 (total 786,432 pixels)
Brightness	2600lm
Contrast	2000:1
Picture Size	40"~300"
Source lamp	180W (Shut Off Time 4000Hrs) with Low Mode 230W (Shut Off Time 2000Hrs)
Computer compatibility	640 x 480 ~ 1280 x 1024 True: 1024 x 768, Sync on green available
Video compatibility	NTSC / NTSC4.43 / PAL (including PAL-M, N) / SECAMP/PAL-60, Component Video : 480i/p (525i/p), 576i/p (625i/p), 720p (750p), 1080i (1125i 60Hz), 1080i (1125i 50Hz)
Input terminals	RGB : mini D-sub15pin x 2, Video : RCA x 1 + S-video x 1 Audio : stereo mini jack (φ3.5mm) x 1, RCA jack (L/R) x 1
Output terminals	RGB : mini D-sub15pin x 1, Audio : stereo mini jack (φ3.5mm) x 1
Communication terminals	RS-232C (D-sub 9pin) x 1, USB terminal for Page Up/Down x 1
Audio speaker	2W mono
Fan noise	30dBA
Dimensions(WxHxD)	331 x 102 x 245 mm (excluding height adjustment)
Weight	2.9kg / 6.5lbs
Power supply	AC100-240V, 50/60Hz
Optional lamp	VLT-XD510LP

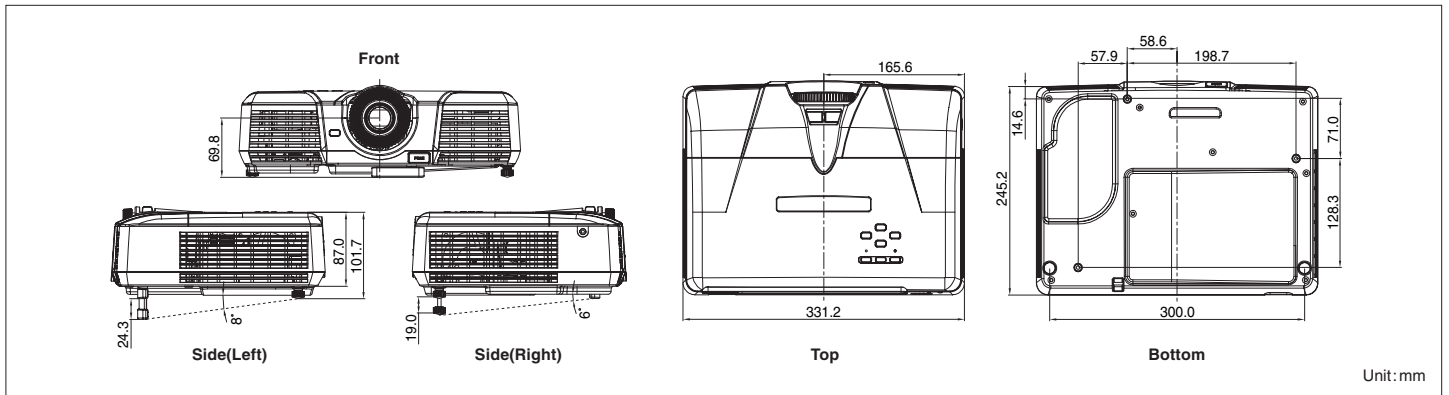
\*All brand names and product names are trademarks, registered trademarks or trade names of their respective holders.

### Input and Output Terminals



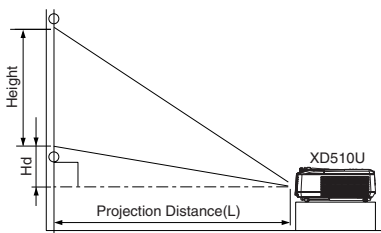
- 1 PC / Component Video output
- 2 PC / Component Video input (mini D-sub 15pin)
- 3 S-Video / RCA
- 4 Audio input [RCA jack (L/R)]
- 5 Audio input (stereo mini jack)
- 6 Audio output
- 7 Serial RS-232C
- 8 USB terminal for Page Up/Down

### Dimensions



### Screen size and Projection distance

As seen from the side



#### Screen size chart

Screen (4:3 aspect ratio)		Distance from screen (L)				Height projected image (Hd)		Screen (16:9 aspect ratio)				Distance from screen (L)				Height projected image (Hd)							
Diagonal size	Width (W)	Height (H)		Shortest		Longest		Diagonal size	Width (W)		Height (H)		Shortest		Longest		Height projected image (Hd)						
inch	cm	inch	cm	inch	cm	inch	m	inch	m	inch	cm	inch	cm	inch	m	inch	m	inch	cm				
40	102	32	81	24	61	51	1.3	62	1.6	1.8	5	40	102	34.9	89	19.6	50	56	1.4	68	1.7	5.2	13
60	152	48	122	36	91	77	2.0	94	2.4	2.7	7	60	152	52.3	133	29.4	75	84	2.1	102	2.6	7.9	20
80	203	64	163	48	122	103	2.6	125	3.2	3.6	9	80	203	69.7	177	39.2	100	113	2.9	137	3.5	10.5	27
100	254	80	203	60	152	129	3.3	157	4.0	4.5	11	100	254	87.2	221	49.0	125	141	3.6	171	4.4	13.1	33
150	381	120	305	90	229	195	4.9	236	6.0	6.8	17	150	381	130.7	332	73.5	187	213	5.4	258	6.5	19.6	50
200	508	160	406	120	305	260	6.6	315	8.0	9.0	23	200	508	174.3	443	98.1	249	284	7.2	344	8.7	26.2	66
250	635	200	508	150	381	326	8.3	394	10.0	11.3	29	250	635	217.9	553	122.6	311	356	9.0	430	10.9	32.7	83
300	762	240	610	180	457	391	9.9	-	-	13.5	34	300	762	261.5	664	147.1	374	427	10.8	-	-	39.3	100

The above numbers are approximate, and may be slightly different from the actual measurements.

**MITSUBISHI ELECTRIC CORPORATION**  
HEAD OFFICE : TOKYO BLDG., 2-7-3, MARUNOUCHI, CHIYODA-KU, TOKYO 100-8310, JAPAN

To find out more about XD510U and our projectors, visit us at

[Global.MitsubishiElectric.com/projectors/](http://Global.MitsubishiElectric.com/projectors/)