



# FL6900U

1080p HD Projector



# Mitsubishi Product Launch

## FL6900U 1080p 3LCD 4000lm Projector

### FL6900U Product Summary

The Mitsubishi FL6900U is a 3-LCD projector that offers 1080p (1920x1080) Full High-Definition resolution, a bright 4000 ANSI lumens and a rich 1000:1 contrast ratio all in a package that weighs approximately 21 lbs.

Presenters will enjoy the versatile features the FL6900U has to offer, such as the flexible connectivity options for video and data sources, anti-theft features that prevents from tampering or unauthorized usage, and an economical design for large auditoriums or rooms with ambient lighting, sports bars, restaurants or hotel conference rooms as well as school auditoriums and corporate boardrooms. School administrators will especially enjoy how the FL6900U can be fully integrated into classrooms or meeting rooms and remote control systems via RS-232C and RJ45 communication.

Built-in security features such as Password Menu Lock, Motion Alarm and Screen Capture security that prevent any unauthorized projector removal. An External computer output is available for monitor hookups that can enable teachers to face the class during a class lecture. The FL6900U also includes an estimated lamp life of up to 4,000-hours (low mode), the proven durability of 3-LCD technology, and Mitsubishi's exclusive Express Replacement Assistance (ERA) warranty program.

The FL6900U is built with the high quality standards you expect from a Mitsubishi projector and is an excellent choice that delivers razor-sharp, bright images with vibrant and exceptional details.



## FL6900U Positioning Statement

The Mitsubishi FL6900U is a high-end installation projector for professional presentations. It offers brightness and clarity—delivering great impact on every presentation in meetings and conferences. It is one of the brightest, 1080p HD projectors available today.

Specifications	FL6900U
<b>Display Technology</b>	1.1" 3-LCD (with Micro Lens)
<b>Brightness</b>	<b>4000 ANSI Lumens</b>
<b>Contrast Ratio</b>	1000:1
<b>Resolution</b>	<b>1920x1080</b>
<b>Estimated Lamp life</b>	4000 hrs ( <i>low mode</i> )
<b>Keystone</b>	Vertical
<b>Optional Lens</b>	OL-X500SZ (1.4-1.7) OL-X500LZ (2.5-3.5) OL-X500TZ (3.7-5.5) OL-X500FR (0.9)

## Key Selling Points

- 3-LCD Technology for outstanding image quality and long life
- 1080p (1920x1080) Full HD resolution
- Brightness rating of 4000 ANSI lumens
- Estimated lamp life of up to 4,000 hours (low mode)
- Color Enhancer (Gamma correction, RGB-COLOR, RGB-TINT)
- RS232C compatibility
- Split Mode (Double Window)
- sRGB Support
- Optional projection lens
- LAN terminal connectivity
- Anti-theft features (Password Lock, Motion Alarm & Screen Capture security)
- Digital keystone (vertical only)
- Backed by Mitsubishi outstanding Warranty and exclusive ERA Programs:
  - 3-years parts and labor
  - 3-years Express Replacement Assistance (ERA)
  - 1-year or 500 hours lamp warranty (whichever comes first)

## Target Markets and Customers of the FL6900U

- The Mitsubishi FL6900U is an ideal projector that is great for venues looking to display bright native 1080p images without being overly concerned with excess ambient lighting, since the FL6900U is a high bright projector that can range from church auditoriums and conference rooms, to restaurants and sports bars.

## Key Features and Advantages

<b>Split Mode Support</b>	Supports split screen (side-by-side) mode for dual computer and video images
<b>sRGB Support</b>	Compatible with Microsoft color profile standards.
<b>Anti-Theft Features</b>	Password Security, Motion Alarm and Screen Capture security features.
<b>DVI-D Input (HDCP)</b>	True digital connectivity
<b>Option Lens</b>	Optional lenses for installation flexibility
<b>ProjectorView</b>	Ability for administrators to remotely monitor and manage their projectors.
<b>Lens Shift</b>	Automated Horizontal + Vertical Lens shift

## Specifications

<b>Display Technology</b>	1.1" 3-LCD (with Micro Lens)
<b>Resolution</b>	1080p (1920 x 1080 native)
<b>Brightness</b>	4000 ANSI lumens
<b>Colors</b>	16,770,000 colors
<b>Contrast Ratio</b>	1000:1
<b>Zoom/Focus</b>	Powered Focus & Zoom (Zoom Ratio 1.3:1)
<b>Projection Lens</b>	f=51-64mm, F=1.8-2.1
<b>Off set axis</b>	10:0 (default) with Variable H+V Powered Lens Shift
<b>Picture size</b>	60"-250"
<b>Source lamp</b>	4000hrs (low mode) estimated lamp life
<b>PC Compatibility</b>	640 x 400 (Expand) - 1920 x 1080 (Real) - 1600 x 1200 (Compress)
<b>Video Compatibility</b>	NTSC / NTSC 4.43 / PAL (including PAL-M, N) / SECAM / PAL-60 Component Video: 480i/p(525i/p), 576i/p(625i/p), 720p(750p 50/60Hz), 1080i(1125i 50/60Hz), 1080p(1125p 50/60Hz) SCART (RGB + 1V sync, only Mini D-Sub 15pin Terminal)
<b>Input Terminals</b>	PC: 5 BNC x 1, Mini D-Sub 15pin x 1, DVI-D(with HDCP) x 1, PC Audio: Stereo mini jack (φ3.5mm) x 2, Video: (1)RCA x 1 or BNC x 1, (2)S-VIDEO (4pin) x 1 or S-VIDEO Y/C (BNC) Video Audio: RCA (L/R) x 2
<b>Output Terminal</b>	RGB: Mini D-Sub 15 pin x 1 Audio: Stereo mini jack (φ3.5mm) x 1 (Variable Out)
<b>Communication Terminal</b>	LAN (RJ-45): x 1 (Projector control) RS-232C: D-Sub 9pin x 1 (Direct command is available.) USB: x 1 (for Mouse Cursor Control) Wired remote (IN): x 1 (φ3.5mm Stereo mini jack ) Wired remote (OUT) : x 1 (φ3.5mm Stereo mini jack )
<b>Scanning Rate</b>	[H] 15 - 100 kHz [V] 50 - 120 Hz [Dot clock] max.162 MHz
<b>Audio Speaker</b>	10 W Mono
<b>Height adjuster</b>	Screw type Front leg (0 to 7 degree variable)
<b>Remote Control</b>	(1) Projector Control (2) USB Mouse Cursor Control (3) Power Point Page Up/Down and Home/End via USB (4) High brightness Laser pointer (with cancelable mode) (5) Wired remote
<b>Power consumption</b>	430 W / 4.4A
<b>Dimension</b>	17.4 x 8.1 x 17.1 inches (WxHxD) (Including detachable Terminal Cover)
<b>Weight</b>	21.6lbs (exclude detachable Terminal Cover)
<b>Power requirements</b>	AC 100 - 240 V, 50/60Hz
<b>Fan noise</b>	35dBA / 29dBA (at Lamp low mode)
<b>Package dimension</b>	21.1 x 15.6 x 19.2 inches (WxHxD)
<b>Package weight</b>	33.1 lbs
<b>Supplied accessories</b>	AC Power Cable, RGB cable, DVI/HDMI conversion cable, Remote unit , Remote Battery (2pcs), Terminal Cover, Safety Pin for Anti Theft Alarm, Anti Theft Alarm Battery (2pcs), User Manual (CD-ROM), Safety Manual, External Air Filter
<b>Optional accessories</b>	Spare Lamp bulb (VLT-XL6600LP), Optional Remote
<b>Warranty</b>	3-Years Limited Parts and Labor Warranty 3-Years Express Replacement Assistance (ERA) 1-Year or 500 hours lamp warranty (whichever comes first)

## Mitsubishi FL6900U Competitive Background

Make & Model	Brightness	Contrast ratio	Resolution	Noise Level	Lamp Life	Weight	Projector + Lamp Warranty	MSRP
Mitsubishi FL6900U	4000lm	1000:1	1920x1080	29dba (low)	4000hrs (low)	21.6 lbs	3yrs Parts 1yr or 500hrs lamp (whichever comes first)	\$14,995
Sanyo PLV-HD100	5500lm	1000:1	1920x1080	46dba	-	84.0 lbs	3yrs Parts 90days Lamp	\$36,000+
Sony VPL-FH300L	6000lm	1300:1	2048x1080	36.dba (low)	6000hrs (low) dual lamp	66.0 lbs	2yrs Parts	\$40,000
Barco iCon H500	5000lm	2000:1	1920x1080	N/A	1500hrs	35.3 lbs	1yr Parts	\$24,000+
Christie Matrix HD4	5000lm	2000:1	1920x1080	N/A	1500hrs	75.0 lbs	2yrs Parts	N/A

\*Manufacturers may change their product specifications without notice. Please verify their latest for a fair and accurate comparison.

## Product Lineage Plan

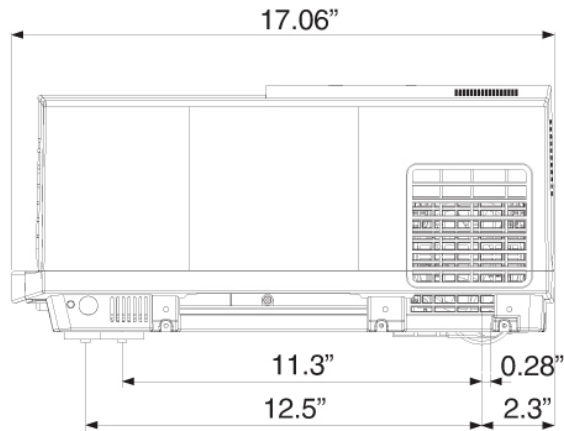
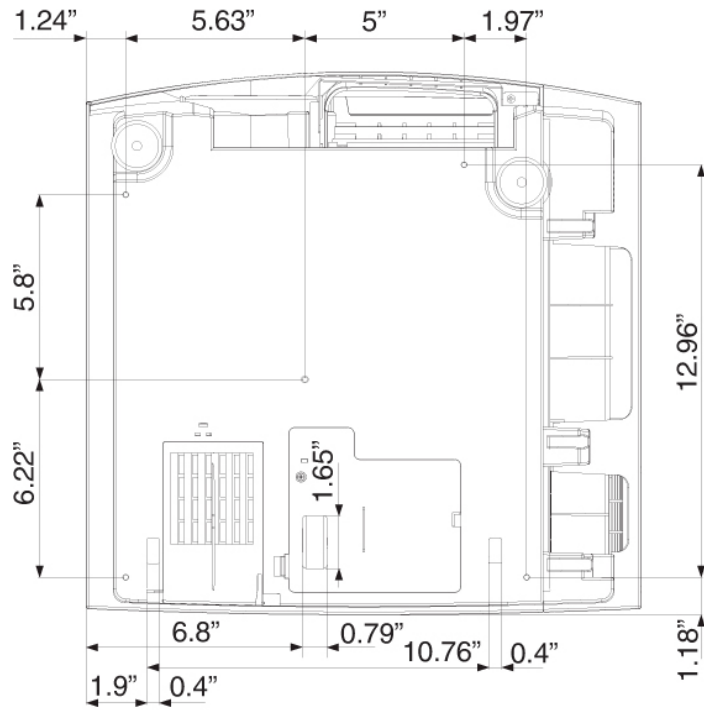
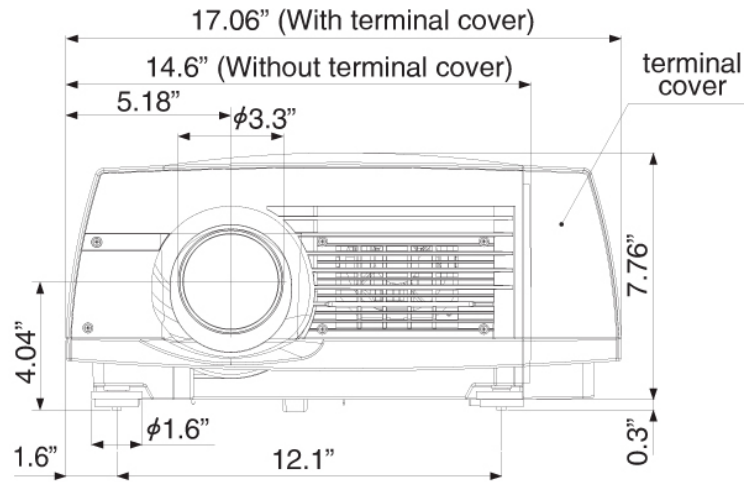
- The FL6900U is a new Mitsubishi projector model
- The FL6900U does not replace any existing projector

## Price and Ordering Information

Model Number	Product Description	Tentative Prices
FL6900U	4000 ANSI Lumen 1080p Projector	MAP: \$9,995
VLT-XL6600LP	Replacement Lamp Module	MSRP: \$495
FL7000REM	Replacement Remote Control	MSRP: \$79
XL5950CM	Ceiling Mount	MSRP: \$295
XL-7000-ATAC	Hard Rolling Case	MSRP: \$475
OL-X500SZ	Short Throw Zoom	MSRP: \$3,295
OL-X500TZ	Tele Throw Zoom	MSRP: \$2,895
OL-X500LZ	Long Throw Zoom	MSRP: \$2,895
OL-X500FR	Rear Projection Short Throw	MSRP: \$3,295



**FL6900U**  
**Dimensions**



## FL6900U

### Word Descriptions

#### 25 Words

The FL6900U is a native Full HD 1080p projector. It includes the latest LCD technology for the sharpest definition to image details.

#### 50 Words

The FL6900U is a native Full HD 1080p projector. It includes the latest LCD technology for the sharpest definition to image details. The FL6900U delivers super bright 4000 lumen images, and still deliver sharp images when presenting in large meeting rooms, auditoriums and conference halls.

#### 75 Words

The FL6900U is a native Full HD 1080p projector. It includes the latest LCD technology for the sharpest definition to image details. The FL6900U delivers super bright 4000 lumen images, and can present in large meeting rooms and conference halls. Audiences will enjoy the presentation or the voice of the presenter without being distracted by the sound of this projector since it operates at a hushed 29dBA noise level (low mode).

#### 100 Words

The FL6900U is a native Full HD 1080p projector. It includes the latest LCD technology for the sharpest definition to image details. The FL6900U delivers super bright 4000 lumen images, and can present in large meeting rooms and conference halls. Audiences will enjoy the presentation or the voice of the presenter without being distracted by the sound of this projector since it operates at a hushed 29dBA noise level (low mode). DVI-D connectivity is supported for true HD digital-to-digital images, as well as a 3-year warranty and an amazingly long lamp life estimated to last up to 4000 hours (low mode).

